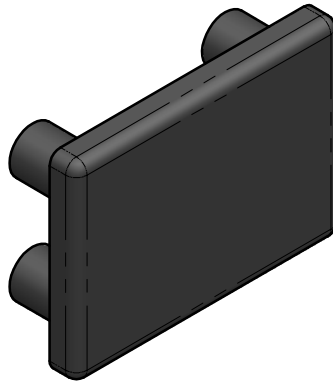
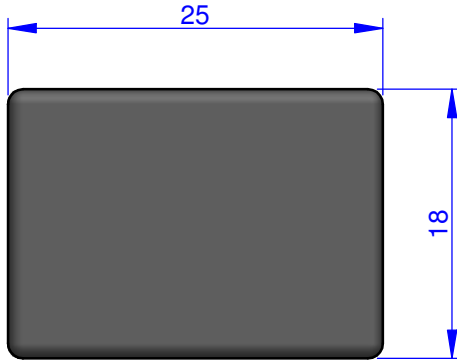


THE PROPERTY OF THIS DRAWING IS ESTABLISHED BY LAW
IT IS FORBIDDEN TO REPRODUCE IT OR SHOW IT TO THIRD PARTY
WITHOUT A WRITTEN AGREEMENT.



MODIFICATIONS: VARIED DIMENSIONS AS OF DATE:

7.		10.
8.		11.
9.		12.

MODIFICATIONS: VARIED DIMENSIONS AS OF DATE:

1.		4.
2.		5.
3.		6.

FP Services



DESIGNED FROM
FPSERVICES

DATE	11/2013	WEIGHT	0,001 kg
------	---------	--------	----------

CODE
CA.ADK.X.2518

Format **A4**
UNI 936-76

GENERAL TOLERANCE:
UNI - ISO 2768
CLASSE f

DESCRIPTION

